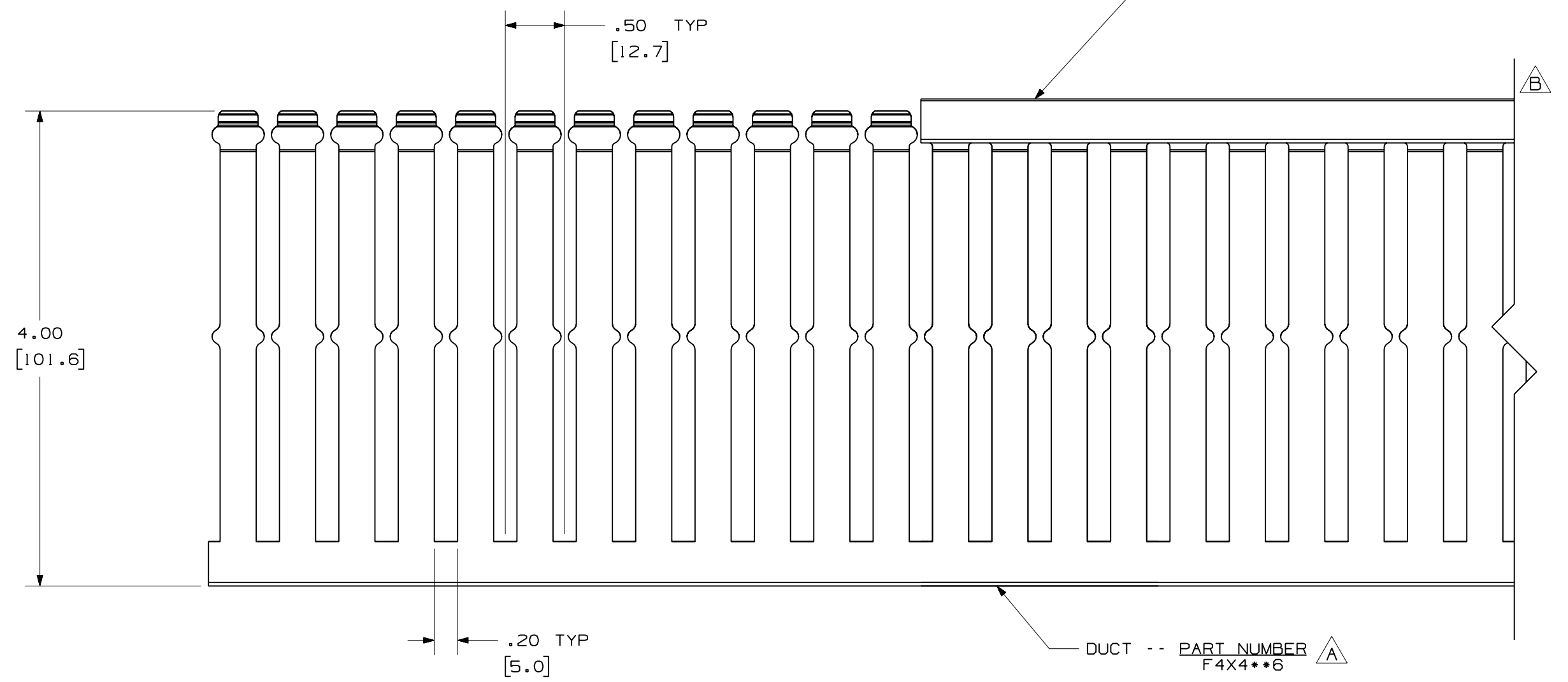
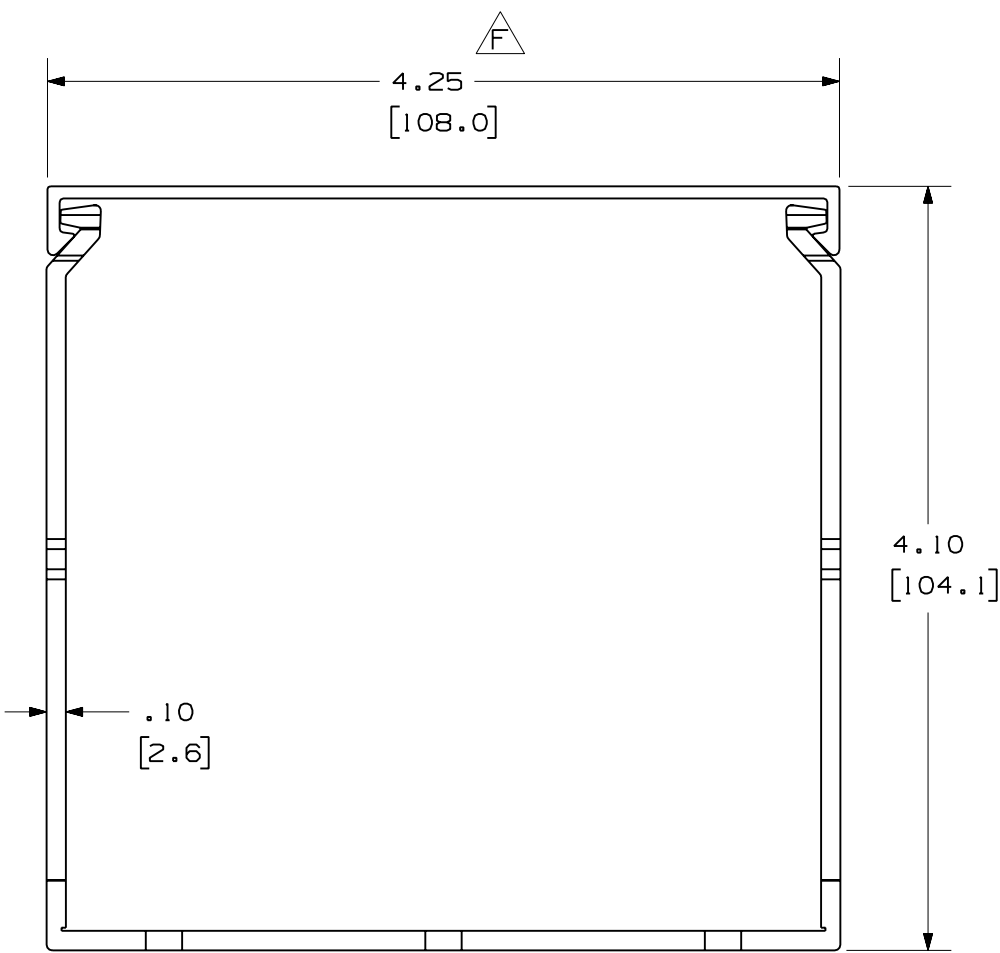
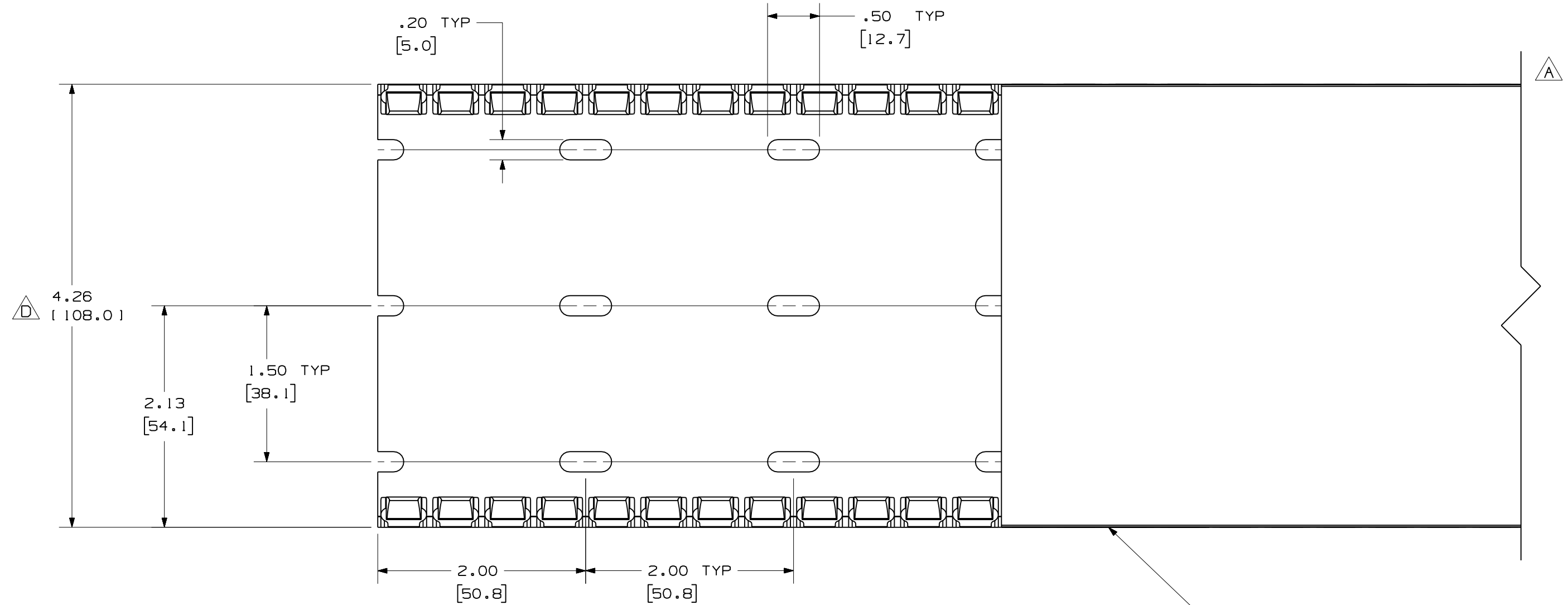


THIS COPY IS PROVIDED ON A RESTRICTED BASIS AND IS NOT TO BE USED IN ANY WAY DETRIMENTAL TO THE INTERESTS OF PANDUIT CORP.



A G

NOTES:

1. ALL DIMENSIONS ARE REFERENCE ONLY.
2. DIMENSIONS IN PARENTHESIS ARE METRIC.
3. THE \*\* DENOTE COLOR.
4. DUCT AND COVER ARE AVAILABLE IN 6 FT [1828.8] LENGTHS

| REV | DATE    | BY       | CHK | DESCRIPTION   |
|-----|---------|----------|-----|---|
| --  | -----   | ---      | --- | G. ADDED LENGTH NOTE<br>F. CORRECTED DIMENSION          |
| 2   | 7/23/07 | JCSTMKBE |     | E. DELETED DIMENSION<br>D. ADDED DIMENSION              |
| --  | -----   | ---      | --- | C. CHANGED DRAWING SIZE                                 |
| 1   | 9/2/04  | JCSTMKBE |     | B. CHANGED VIEW<br>A. ADDED TOP VIEW, NOTES, AND LABELS |
| R   | 3/20/03 | JCST JGG |     | DRAWING RELEASED  |

|   |               |                 |                  |
|---|---------------|-----------------|------------------|
| CAD FILENAME/LAYERS                         |               | D11000CU_DC/00C |                  |
| <b>PANDUIT</b> CORP. TINLEY PARK, ILLINOIS  |               |                 |                  |
| WIRING DUCT - TYPE F DUCT WITH COVER<br>4X4 |               |                 |                  |
| MARKETING DRAWING                           |               |                 |                  |
| DRWN BY<br>JCST                             | MAT'L:<br>PVC | SCALE<br>FULL   | DWG<br>NO.       |
| DATE<br>3/20/03                             |               |                 | 36897-783        |
| CHECKED BY<br>JGG                           |               |                 | DWG<br>SIZE<br>C |